



MARINE SOLUTIONS

 MADE IN ITALY

 **REGGIANA
RIDUTTORI**
PLANETARY REDUCTION **GEARS**



YOUR MARINE PARTNER PLANETARY DRIVES FOR THE MARINE INDUSTRY

With over 40 years of engineering experience, Reggiana Riduttori is one of the world's leading companies in the design and manufacture of gearboxes for a wide variety of power transmission applications in the marine industry. To ensure that the highest standards in engineering, quality and production are always met, our products are 100% manufactured in our headquarters in Italy.

Durability, reliability and strength are the leading values that drive RR team while designing and manufacturing units for port cranes, off-shore cranes, material handling, boat thrusters and deck materials installations.



DNV GL TYPE APPROVAL CERTIFICATION

100% MANUFACTURED IN ITALY

RELIABILITY AND DURABILITY

READY TO RUN ELECTRIC





COMPLETE RANGE
UP TO **10.000.000 NM**

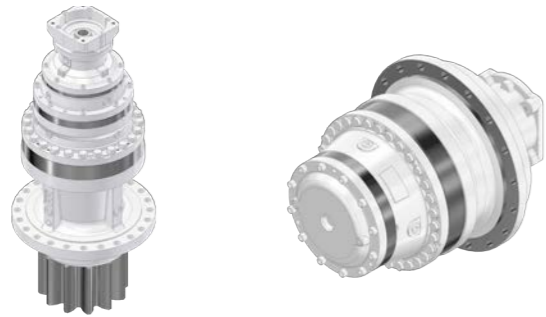
DEDICATED HOISTING
AND **SWING DRIVES**



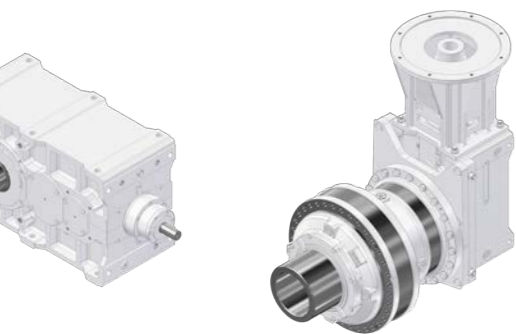
RR/RA
T_{2max} Nm=1,200-10,000,000
Ratio=3.4-5061
Modular planetary reduction gears.



RRTD/RRWD
T_{2max} Nm=1,000-50,000
Ratio=5-179
Compact planetary drives.



FF/W
T_{2max} Nm=1,200-230,000
Ratio=3.9-2500
Swing gears.



P/RH/RW
T_{2max} Nm=2,500-4,300,000
Ratio=1.12-5061
Helical and bevel helical line, combined units.

MODEL	T _{2,FEM} [NM]	RATIO	MIN INNER DRUM DIAMETER [MM]	WEIGHT Kg
AR300	1.680	6,09	190	30
AR800 D	4.800	22 ÷ 53	220	60
AR1000 D	4.950	23 ÷ 40	220	57
AR1700 T	11.000	64 ÷ 179	280	115
AR2400 T	15.220	61 ÷ 166	300	150
AR3600 T	24.860	67 ÷ 161	320	140
AR5000 T	28.400	73 ÷ 146	350	178

FEM M5 (T5-L2), n=15 rpm

MODEL	T _{2,FEM} [NM]	RATIO	MIN INNER DRUM DIAMETER [MM]	WEIGHT Kg
RR3200 L3W	39.000	65 ÷ 189	410	265
RR5200 L3W	61.000	70 ÷ 176	470	370
RR6500 L3W	78.000	62 ÷ 185	550	550
RR10000 L3W	116.000	64 ÷ 147	580	790
RR15000 L3W	169.000	64 ÷ 147	645	1030
RR20000 L4W	234.000	258 ÷ 1180	750	1600
RR25000 L4W	316.000	267 ÷ 915	850	2200
RR40000 L4W	460.000	267 ÷ 864	910	3100
RR55000 L4W	660.000	274 ÷ 805	1020	4400

FEM M5 (T5-L2), n=15 rpm

MODEL	T _{2,FEM} [NM]	RATIO	PINION MODULE	MAX RADIAL LOAD [N]
RR1800	17800 + 25800	13 ÷ 2212	10 ÷ 14	530.000
RR2500	23100 + 38800	15 ÷ 2495	14 ÷ 18	595.000
RR3200	29000 + 49700	16 ÷ 2005	14 ÷ 18	595.000
RR4000	40000 + 57900	16 ÷ 1910	16 ÷ 20	1.107.000
RR5200	51800 + 75700	16 ÷ 1803	16 ÷ 20	1.107.000
RR6500	74100 + 97300	16 ÷ 2064	18 ÷ 22	992.000
RR8000	73400 + 104300	17 ÷ 1695	20 ÷ 24	1.142.000
RR10000	101200 + 136400	17 ÷ 1600	20 ÷ 24	1.142.000



MARINE APPLICATIONS

OFFSHORE & DECK CRANES

CAPSTANS

THRUSTERS

DECK MATERIAL EQUIPMENTS

CONTAINER REACH STACKER

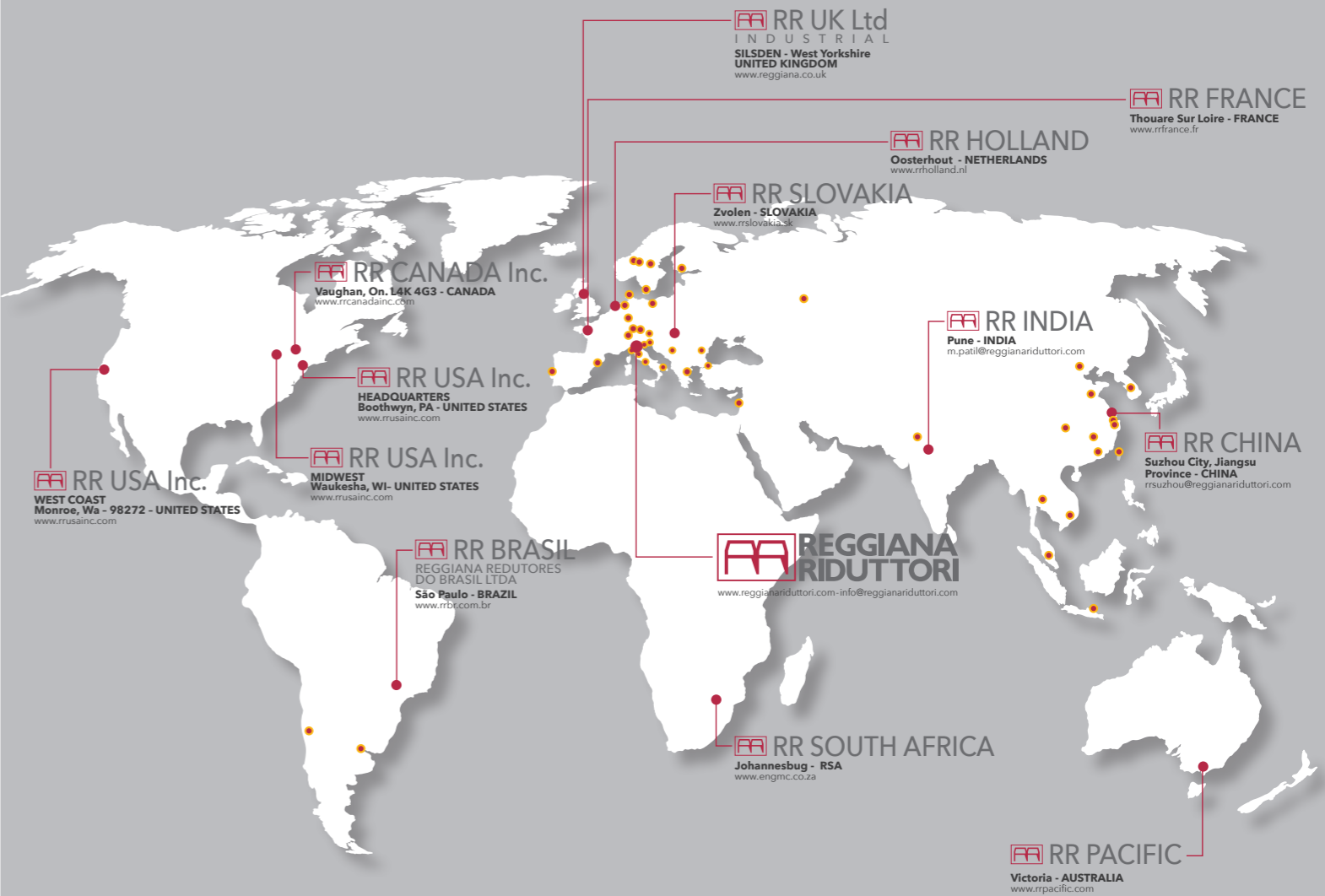
WINCHES



GLOBAL

SALES NETWORK

- MASTER DISTRIBUTOR
- BRANCH



www.reggianariduttori.com

REGGIANA RIDUTTORI S.r.l.

Via Martiri di Marzabotto,7
42020 - S. Polo d'Enza (RE) - ITALY
tel. +39.0522.259111 - fax +39.0522.874321
info@reggianariduttori.com



 **REGGIANA
RIDUTTORI**
PLANETARY REDUCTION **GEARS**